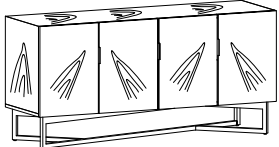
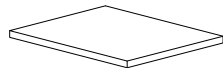





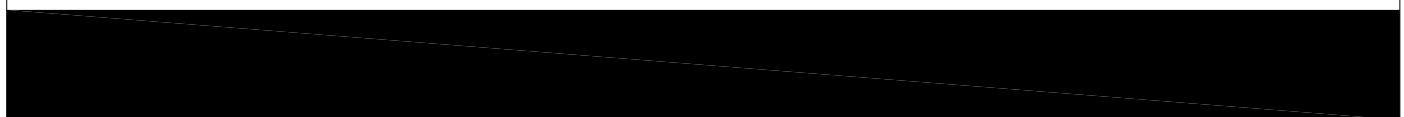
ASSEMBLY INSTRUCTIONS

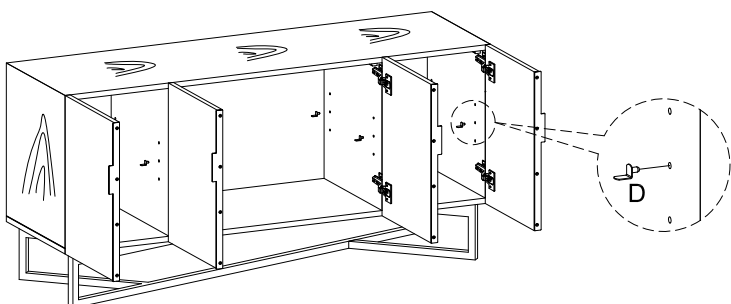
Description : SB07 Overbury Sideboard

PARTS LIST

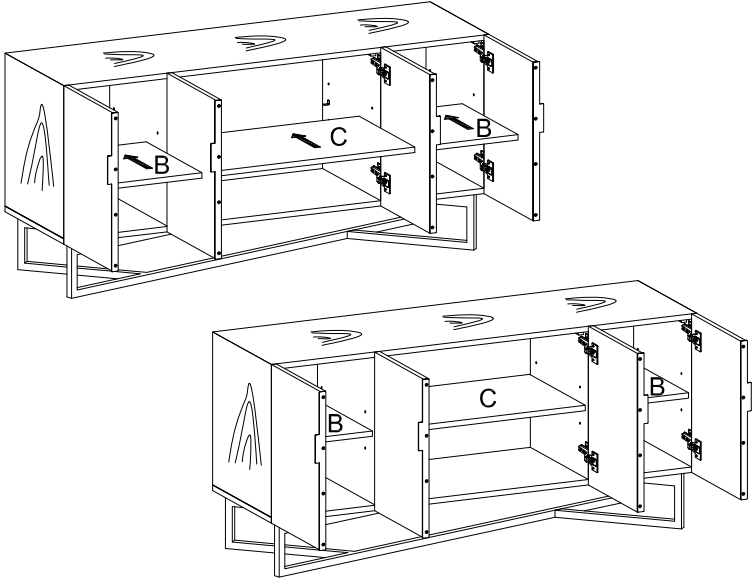
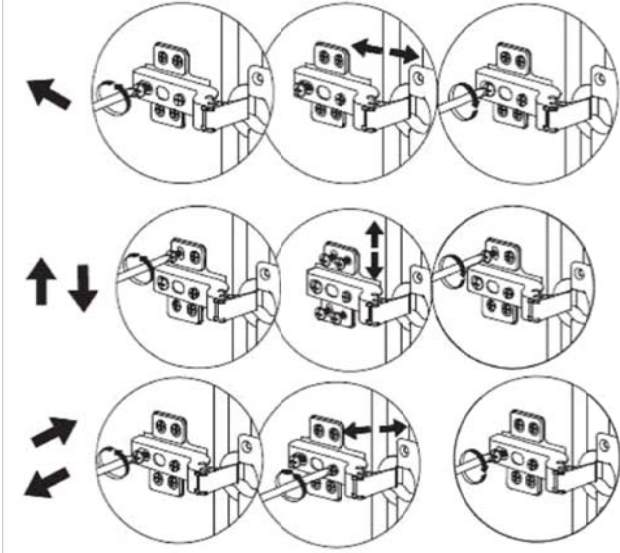
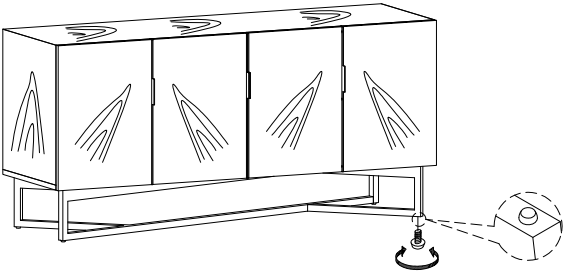
Before you begin, please layout all parts and ensure you have the correct count

NO	DESCRIPTION	QTY	ILLUSTRATION
A	Sideboard	1	
B	Shelf 1	2	
C	Shelf 2	1	
D	SHELF PIN	12	
E	TIPPING RESTRAINT KIT	2 SET	

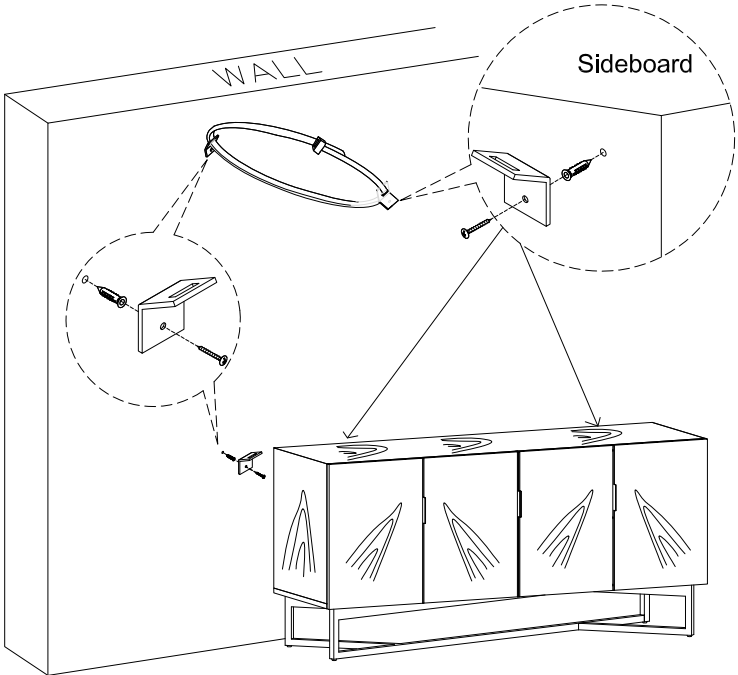
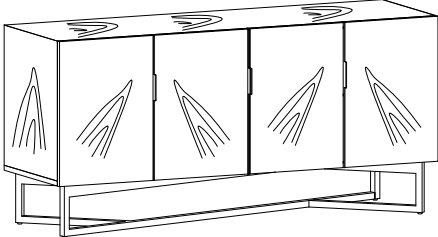


STEP	DESCRIPTION	ILLUSTRATION
1	<p>With the help of another person, Stand the Sideboard right side up.</p> <p>Open the doors, Insert the Shelf Pins(D) to the holes in the side panels and partition panels.</p> <p>12pcs Shelf Pin(D)</p>	

ASSEMBLY INSTRUCTIONS

STEP	DESCRIPTION	ILLUSTRATION
2	<p>Tilt the Shelves(B&C) , and move the Shelves(B&C) upward and forward, then put them on the Shelf Pins(D) as show on the right</p>	
3	<p>You Can align the door by adjusting the screws on the insides of each hinge by using a screwdriver as shown on the right if necessary.</p>	
4	<p>Should your floor surface be uneven you can improve the stability by simply turning your Sideboard over and adjusting the levelers found under the base.</p>	

ASSEMBLY INSTRUCTIONS

STEP	DESCRIPTION	ILLUSTRATION
5	Please attach the Sideboard to a wall with the provided 2 pieces Tipping Restraint Kit	
6	Your Sideboard is now complete and ready for using.	

ASSEMBLY TIPS:

- Please check parts and hardware before assembling. Follow each instruction step by step.
- Place a protective pad or piece of cardboard on the floor while assembling your item on top of it.
- Remove all parts from the carton and separate them into part numbers/groups as indicated on the part list.
- Please follow instructions in the sequence as numbered to assure fast/easy assembly.

WARNING:

- Do not attempt to repair or modify parts that are broken or defective. If you find a broken part please contact the retailer where you purchased it for replacement.
- Keep all hardware parts out of the reach of children.
- Do not use drill

FURNITURE CARE:

Following these few basic steps will help to ensure that you enjoy your furniture for a long time:

- Do not expose your furniture to direct sunlight, dampness or any heat, such as a hot cup of coffee or tea. Always use a coaster.
- Excessive exposure to sunlight may cause fading.
- Excessive temperature and humidity or cold may cause cracking or splitting.
- Dust with a clean, damp, lint free cloth.
- Use a damp cloth with water or mild detergent to clean all surfaces. Do not use chemicals or paint thinner which will fade the surface.
- Place a piece of felt or a pad under the legs of your furniture to avoid scratching the floor.